



STOKES

Appliance Parts

Service Manual

Commercial Catering Section L

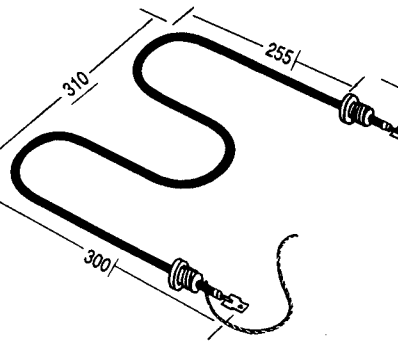
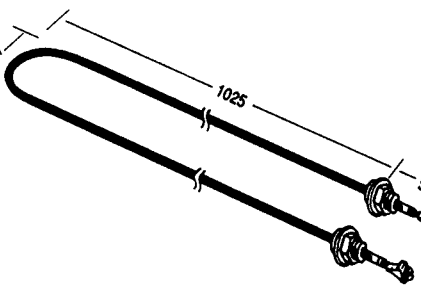
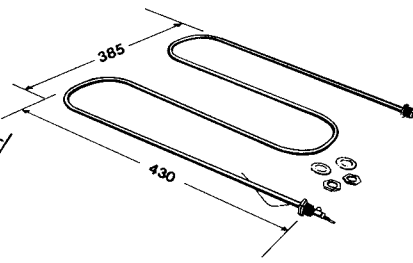
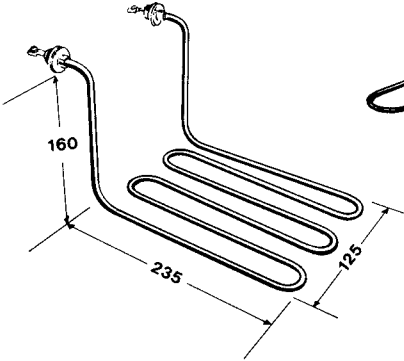
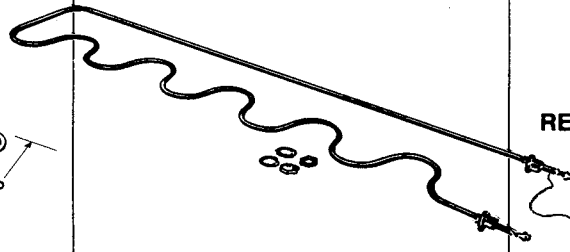
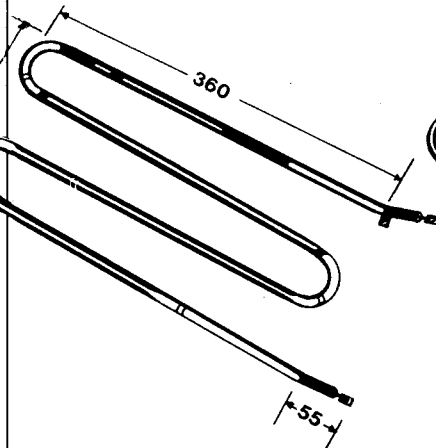
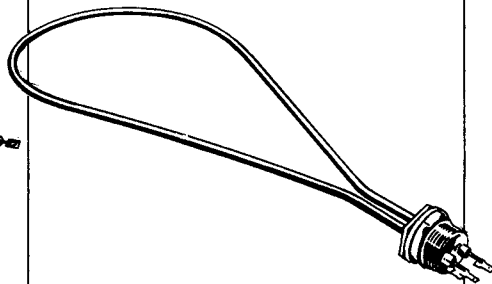
Includes:

Food warmer & Fryer Elements, Grills,
Bain-marie, Rotisserie, Thermostats,
Controls, Accessories, Thermometers,
Simmerstats, Rotary Switches,
Runback Timers & Soil Heating

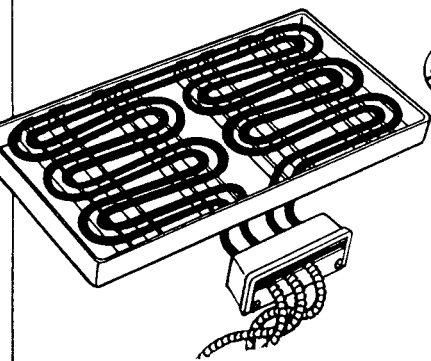
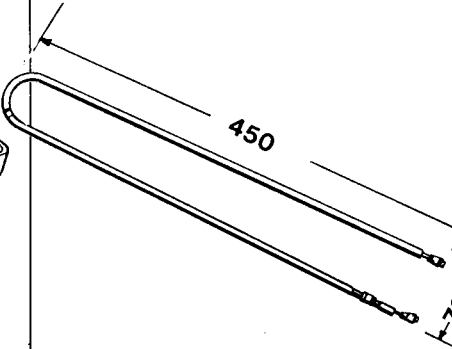
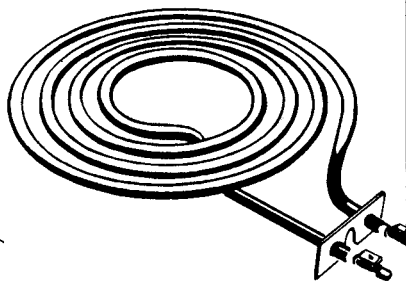
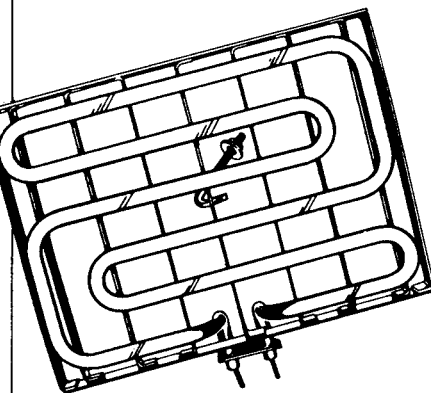
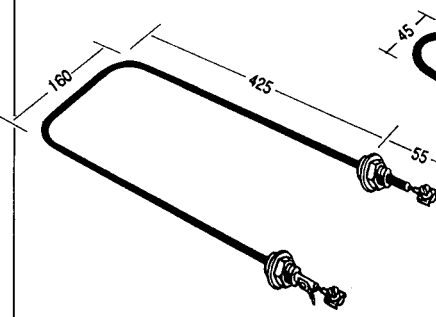
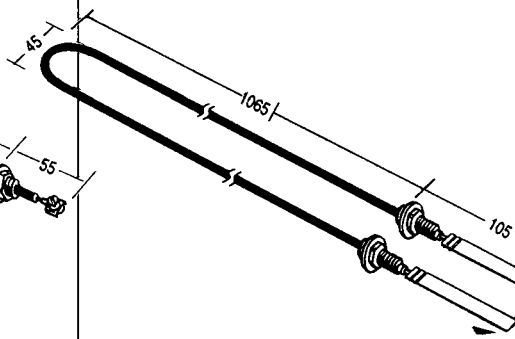
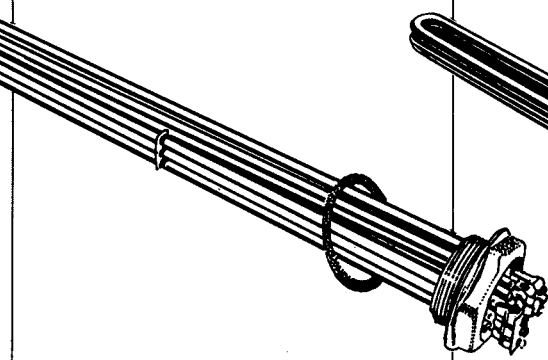
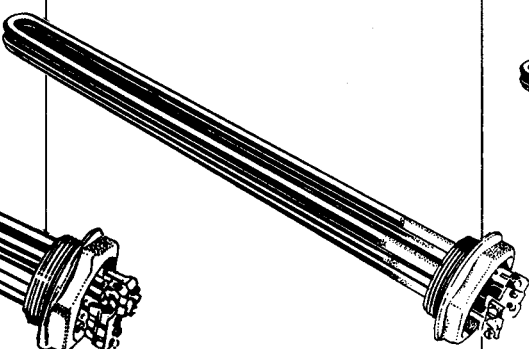
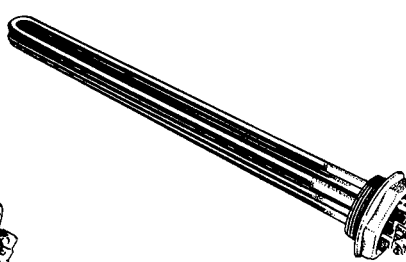
Stokes Appliance Parts - National Administration Centre

24 Palmerston Road West, Ringwood, Victoria 3134, Australia
Ph: 61 3 9872 7474 Fax: 61 3 9872 7400 Freecall: 1800 333 191
E-mail: parts@stokes-us.com.au Web: www.stokesap.com.au

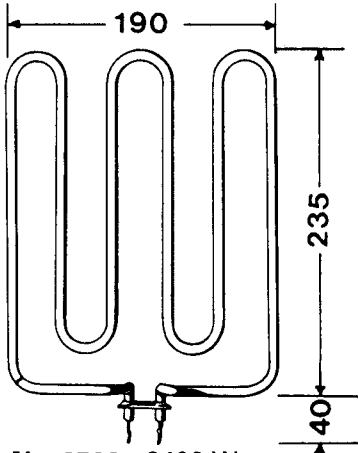
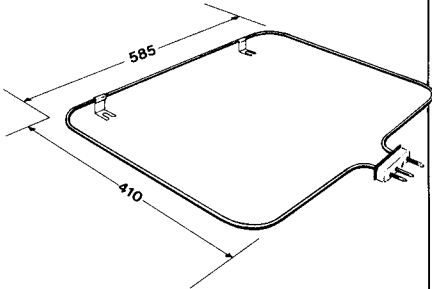
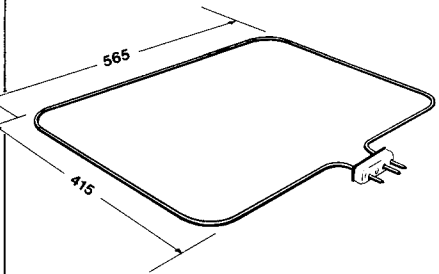
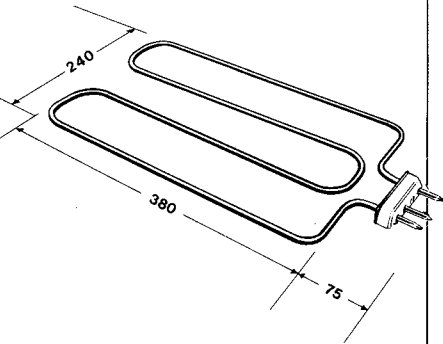
Elements

<p style="text-align: center;">AUSTHEAT</p>  <p>Cat No. 9715 - 500 Watt To suit Austheat food warmer. Replaces Email P/No. 90880G1</p>	<p style="text-align: center;">AUSTHEAT</p>  <p>Cat No. 9716 - 3250 Watt To suit Austheat. Replaces Email P/No. 90943</p>	<p style="text-align: center;">AUSTHEAT</p>  <p>Cat No. 9720 - 1000 Watt Austheat food warmer. Replaces Email P/No. 91439</p>
<p style="text-align: center;">AUSTHEAT</p>  <p>Cat No. 9762 - 2400 Watt Fryer element. Replaces Email P/No. VD32A000</p>	<p style="text-align: center;">AUSTHEAT</p>  <p>Cat No. UZ230001 - 3600 Watt Austheat Rota Chick element.</p>	<p style="text-align: center;">RESERVED FOR NEW PRODUCT</p>
<p style="text-align: center;">CHRISTIE</p>  <p>Cat No. 9510 - 3000 Watt Barbecue element. To suit Christie coin operated park barbecues.</p>	<p style="text-align: center;">CORDE</p>  <p>Cat No. 9851 - 2400 Watt Bain Marie element.</p>	<p style="text-align: center;">CORDE</p>

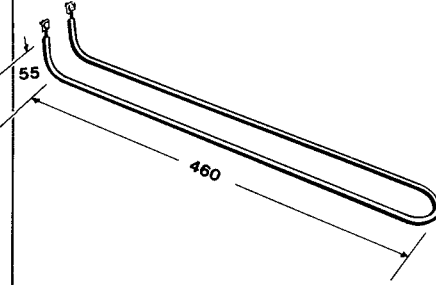
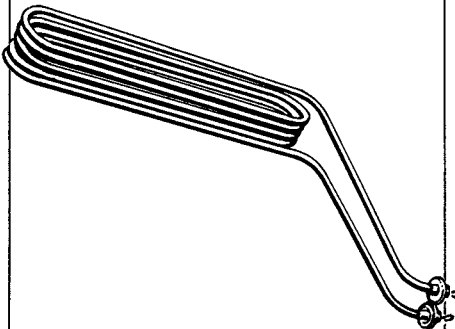
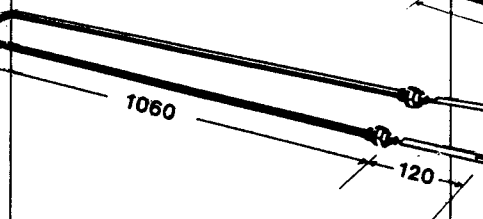
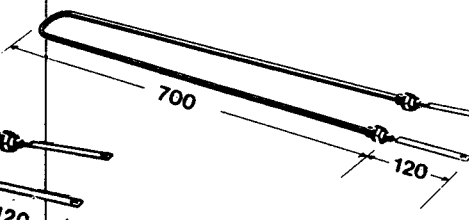
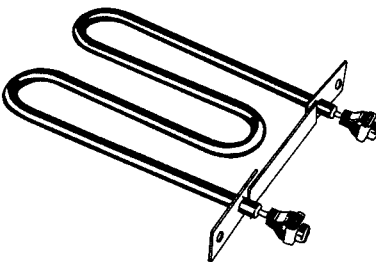
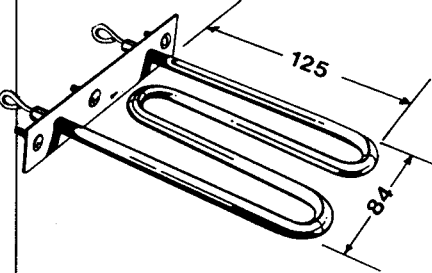
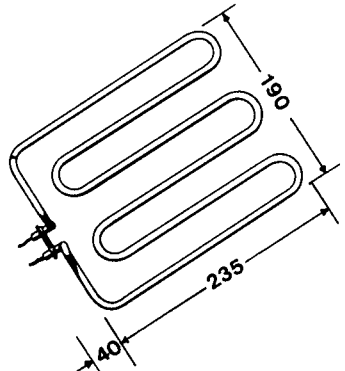
Elements

<p style="text-align: center;">CURTIN</p>  <p>Cat No. 820736 - 3500 Watt Curtain Grill Boiler.</p>	<p style="text-align: center;">DERBY</p>  <p>Cat No. 9509 - 300 Watt Oven element. To suit Derby/CIG electrode drying oven. Replaces Part No. 91026 G1</p>	<p style="text-align: center;">GEC</p>  <p>Cat No. 1908 - 2000 Watt 7" Hotplate as used in some GEC imported commercial cooking units.</p>
<p style="text-align: center;">GOLDSTEIN</p>  <p>Cat No. 9503 - 3500 Watt Goldstein Hotplate.</p>	<p style="text-align: center;">GOLDSTEIN</p>  <p>Cat No. 9718 - 600 Watt CFA. Goldstein. Bain marie. Replaces Email Part No. 91173.</p>	<p style="text-align: center;">GOLDSTEIN</p>  <p>Cat No. VD55A000 - 3250 Watt CFA. Goldstein. Bain marie. Replaces Email Part No.</p>
<p style="text-align: center;">HOBART</p>  <p>Cat No. 9847 - 17 kW Dishwasher element. Hobart Dishwashers.</p>	<p style="text-align: center;">HOBART</p>  <p>Cat No. 9848 - 10.8 kW Dishwasher element. Hobart Dishwashers.</p>	<p style="text-align: center;">HOBART</p>  <p>Cat No. 9850 - 3.6 kW Dishwasher element. Hobart Dishwashers.</p>

Elements

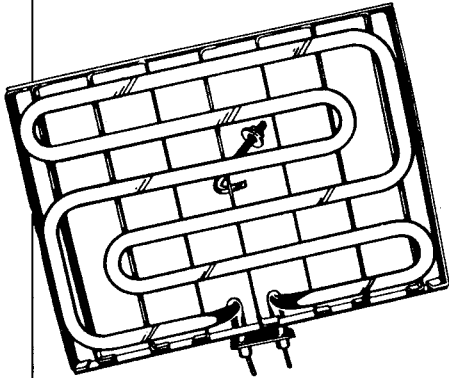
	<p style="text-align: center;">LUKE</p>  <p>Cat No. 9502 - 2400 Watt Luke Griddle element. Replaces Email Part No. 822897</p>	<p style="text-align: center;">LUKE</p>  <p>Cat No. 9749 - 3000 Watt Oven element. Replaces Email Part No. US52A000</p>
<p style="text-align: center;">LUKE</p>  <p>Cat No. 9750 - 3000 Watt Oven element. Replaces Email Part No. US52B000</p>	<p style="text-align: center;">LUKE</p>  <p>Cat No. 9754 - 2700 Watt Toaster element. Replaces Email UX050000</p>	

Elements

<p style="text-align: center;">LUKE</p>  <p>Cat No. 9763 - 1600 Watt Griddle element. Replaces Email Part No. VE760000</p>	<p style="text-align: center;">LUKE</p>  <p>Cat No. 9764 - 5666 Watt Fryer element. Replaces Email Part No. VF73000</p>	<p style="text-align: center;">RESERVED FOR NEW PRODUCT</p>
<p style="text-align: center;">SEMAK</p>  <p>Cat No. 1227 - 3250 Watt Semak rotisserie element.</p>	<p style="text-align: center;">SEMAK</p>  <p>Cat No. 1846 - 2500 Watt Semak rotisserie element. Replaces Email Part No. VE01A000</p>	<p style="text-align: center;">RESERVED FOR NEW PRODUCT</p>
<p style="text-align: center;">SPEEDIE</p>  <p>Cat No. 1886 - 450 Watt Toaster element. To suit Speedie commercial toasters.</p>	<p style="text-align: center;">STERLEC</p>  <p>Cat No. 9501 - 450 Watt Toaster element. To suit Sterlec commercial toasters. Replaces Part No. 820941</p>	<p style="text-align: center;">STERLEC</p>  <p>Cat No. 9502 - 2800 Watt Commercial grill boiler. 254mm x 203mm (10" x 8"). To suit Sterlec, Waldorf, Austheat. Replaces Part Nos. 822339, 3-26-0013, 822897, 31979</p>

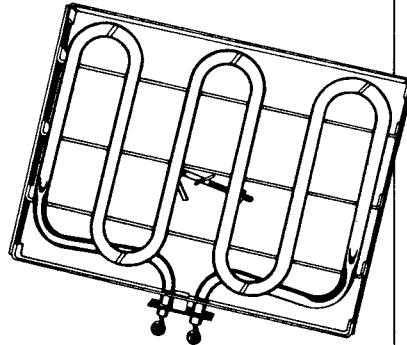
Elements

STERLEC



Cat No. 9503 - 3500 Watt
Commercial grill boiler. 305mm x 230mm (12" x 9"). To suit Waldorf and Sterlec. Replacement for Email Part No. 821221

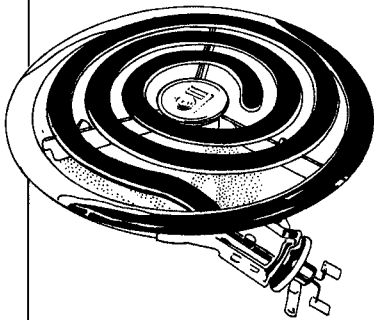
STERLEC



Cat No. 9504 - 2800 Watt
Commercial grill boiler. 305mm x 230mm (12" x 9"). To suit Waldorf and Sterlec. Replaces Email Part No. 91017G1

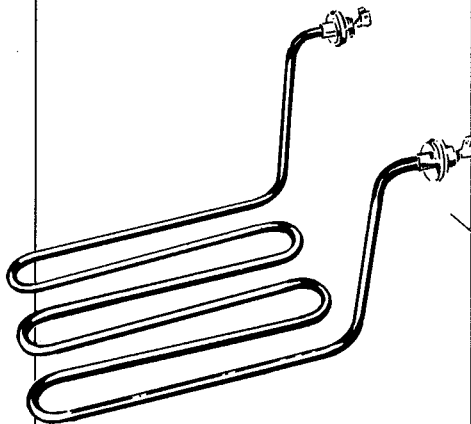
RESERVED FOR NEW PRODUCT

WALDORF



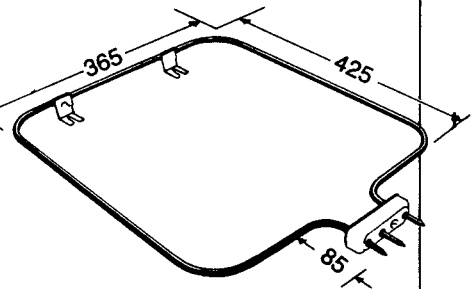
Cat No. 089-6 - 2700 Watt
8" Hotplate as used in various Waldorf commercial cooking units.

WALDORF



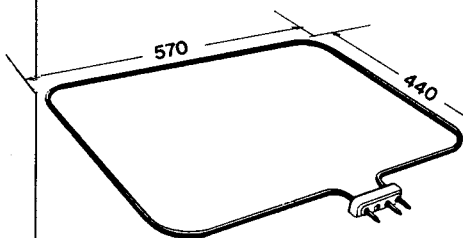
Cat No. 1580 - 2750 Watt
Waldorf deep fryer element. Replaces Email US410000

WALDORF



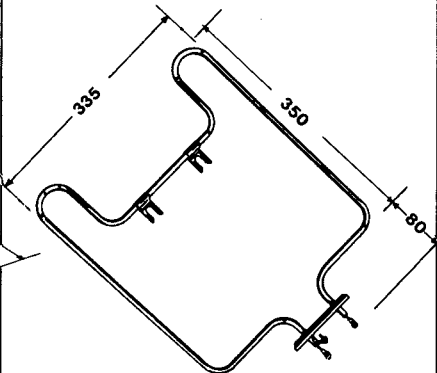
Cat No. 9507 - 2200 Watt
Plug-in Waldorf oven element.

WALDORF



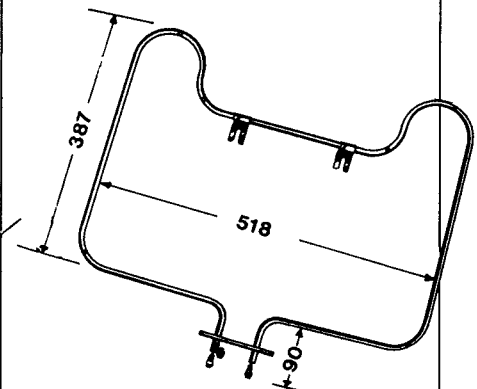
Cat No. 9508 - 3000 Watt
Plug-in Waldorf oven element.

WALDORF/LUKE



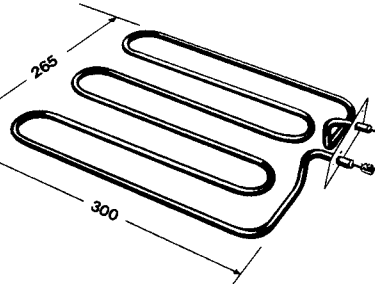
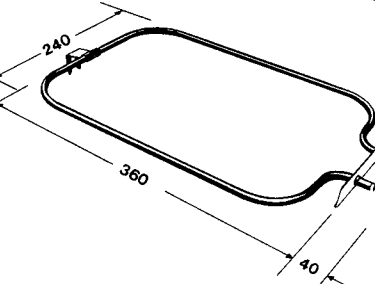
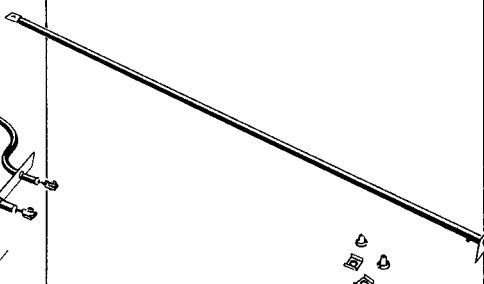
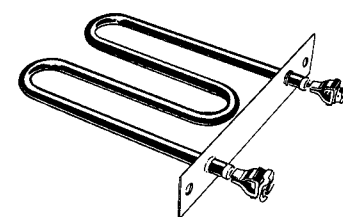
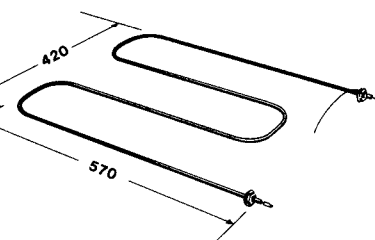
Cat No. 9505 - 2200 Watt
Commercial oven element. To suit Waldorf & Luke ovens. Replaces Part No. 31495 and Email Part No. VDO5A000

WALDORF/LUKE



Cat No. 9506 - 3000 Watt
To suit Waldorf & Luke ovens. Replaces Part No. 31496 and Email Part No. VDO5B000

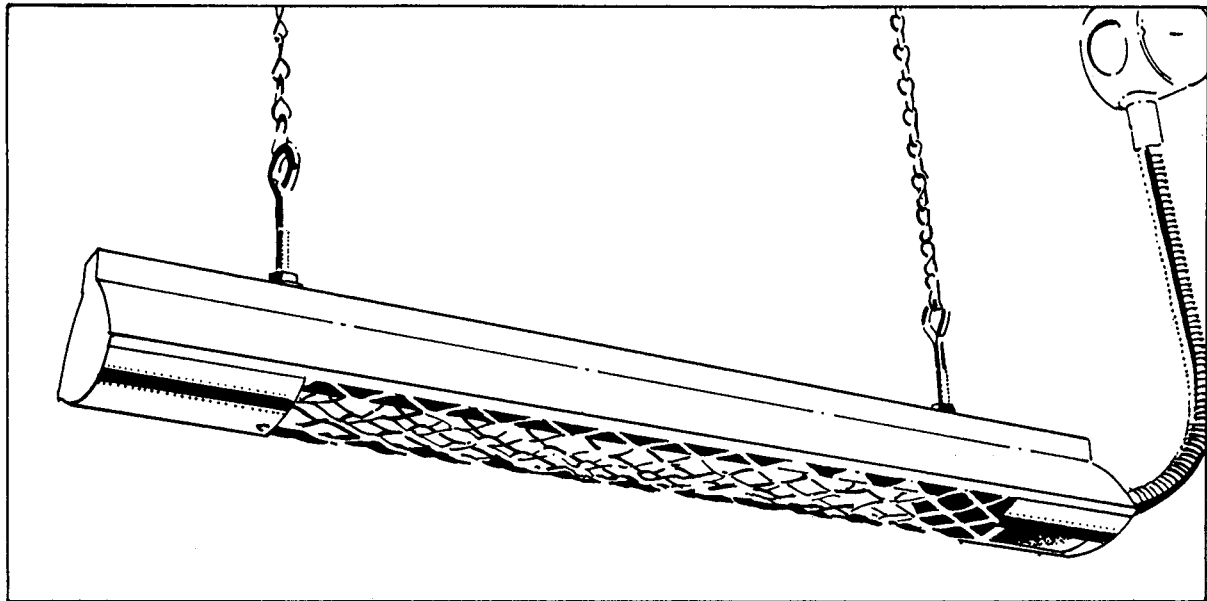
Elements

<p style="text-align: center;">WOODSON</p>  <p>Cat No. 9717 - 2400 Watt Replaces Woodson oven element. Replaces Email Part No. 90962</p>	<p style="text-align: center;">WOODSON</p>  <p>Cat No. 9721 - 1200 Watt Woodson pie oven element. Replaces Email Part No. 9975</p>	<p style="text-align: center;">WOODSON</p>  <p>Cat No. 9723 - 580 Watt Woodson toaster element. Replaces Email Part No. VJ00A000</p>
<p style="text-align: center;">WOODSON</p>  <p>Cat No. 9751 - 350 Watt Toaster element. Replaces Email Part No. UT49A000</p>		
<p style="text-align: center;">ZEUS</p>  <p>Cat No. 9719 - 1000 Watt Zeus Austheat Bain Marie. Replaces Email Part No. 91201</p>		<p style="text-align: center;">RESERVED FOR NEW PRODUCT</p>

Elements

<input type="text"/> RESERVED FOR NEW PRODUCT	<input type="text"/> RESERVED FOR NEW PRODUCT	<input type="text"/> RESERVED FOR NEW PRODUCT
<input type="text"/> RESERVED FOR NEW PRODUCT	<input type="text"/> RESERVED FOR NEW PRODUCT	<input type="text"/> RESERVED FOR NEW PRODUCT
<input type="text"/> RESERVED FOR NEW PRODUCT	<input type="text"/> RESERVED FOR NEW PRODUCT	<input type="text"/> RESERVED FOR NEW PRODUCT

Radiant Infra-red Heaters – Metal Sheathed



General applications

- **Comfort Heating**
Warehouses, Workshops,
Schools, Halls, Churches
- **Oven Heating**
Motor windings, process
heating, drying etc.
- **Baking and Curing**
Paints, enamels, lacquers,
adhesives and ink.
- **Drying**
Metals, ores, powders,
sandpaper, textiles
and food
- **Food Warming**
Canteens, Foodstores,
Restaurants etc.

General applications

Comfort heating –

Warehouses, Workshops, Schools, Halls,
Churches, Animal Heating etc.

Cat No.	Wattage	Overall Length mm
3871	800	610
3872	1100	770
3873	1800	1180
3874	2400	1550
3875	3000	1865
3876	3600	2170

All units wired and rated 240 volts

Replacement Parts for Infra-red Heaters				
Cat No.	Elements	Element Length mm	Guards	Guard Length mm
3871	3871-10	515	2601-36	425
3872	3872-10	670	2602-36	995
3873	3873-10	1085	2603-36	995
3874	3874-10	1450	2603-36	995
3875	3875-10	1770	2605-36	1365
3876	3876-10	2070	2606-36	1685

NOTE: The above elements (ie 3871 etc) come complete with Junction Box, Mounting Supports (eye bolts). All units are wired to the Junction Box.

Elements and Accessories

BAIN-MARIE WET ELEMENTS

PLEASE NOTE: Elements may be formed on minimum bend radius of twice its tube diameter.

WATER IMMERSION (with Brass Bushes = Code B)

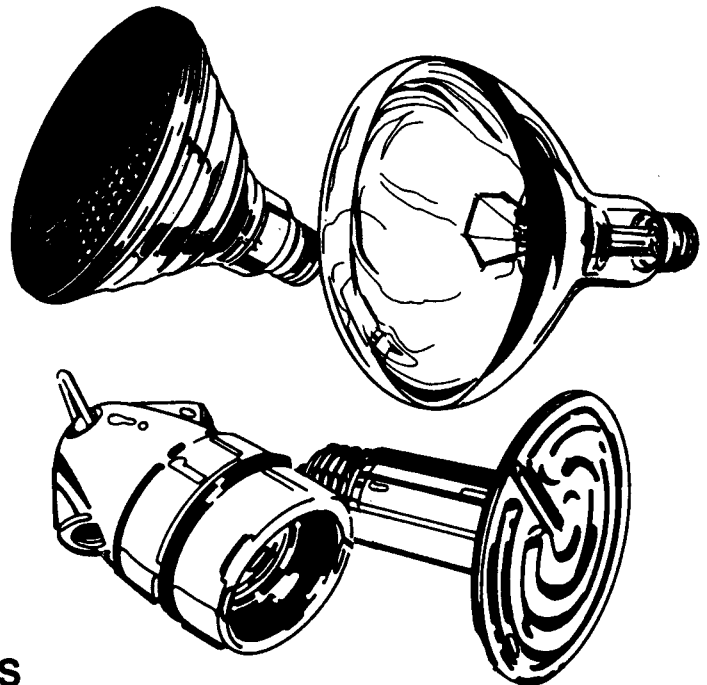
Copper Sheath/Incoloy Sheath (120kW/sq.m)

Cat. No. Incoloy Sheath (120kW/sq.m)	Watts	Volts	Dim 'A'	Heated Length 'B'
2221-10 B	600	240	245	200
2222-10 B	900	240	345	305
2223-10 B	1200	240	445	405
2224-10 B	1500	240	545	590
2225-10 B	1800	240	645	605
2226-10 B	2000	240	715	675
2227-10 B	2400	240	850	810
2228-10 B	3000	240	1090	960
2229-10 B	3600	240	1250	1150
2230-10 B	4800	240	1650	1550

QUARTZ INFRARED HEATING LAMPS

LAMPS – For Commercial Catering

Cat No.		Length A
9403	500W/120V Ceramic ends	210mm
9404	500W/120V Metal ends	220mm
9405	500W/Ceramic ends	210mm
9406	500W Metal ends	220mm
9407	1000W Ceramic ends	345mm
9408	1000W Metal ends	345mm
9414	1600W Ceramic ends	445mm



INFRARED HEATING LAMPS

Cat No.	
9409	250W E.S. – Clear hard glass
9410	275W E.S. – Clear hard glass
9411	375W E.S. – Clear hard glass
9412	100W E.S. – Red front hard glass
9413	175W E.S. – Red front hard glass

CERAMIC INFRARED HEATING LAMPS

Cat No.	
2307	ESE 150W E.S.
9410	ESE 250W E.S.
9411	E.S. Ceramic lamp holder

Thermostats

ROBERTSHAW COMMERCIAL THERMOSTATS
(Screw Terminals) rated 25 AMP 240V

Stokes Cat No.	Range °C	Differential	Capillary Length	Bulb Size	Dial Knob	Applications
EA5-406-7	70-290	6.5	1830mm	98.4 x 9.5	P2638	Bake Ovens
EA5-497-2	70-290	6.5	1830mm	295 x 4.7	P2638	Bake Ovens
EA5-501-9	25-105	3	1240mm	133 x 9.5	P2646	Auto Urns, Sterilisers
EA5-607-0	15-120	3.5	1830mm	114.3 x 9.5	P2662	Bain-Maries
EA5-701-4	95-205	4	914mm	146 x 9.5	P2670	Fish Fryers
EA5-907-9	10-45	1	914mm	216 x 9.5	P2718	Incubators
EA5-909-5	30-230	5	914mm	260 x 4.7	P2726	Hospital Equipment
EA5-911-6	30-230	5	914mm	98.4 x 9.5	P2726	Hospital Equipment
EA9-910-0	120-450	8.5	1240mm	260 x 6.4	P2777	Pizza Ovens

ROBERTSHAW DOUBLE POLE THERMOSTATS
(Screw Terminals) rated 25 AMP 240V

Stokes Cat No.	Range °C	Capillary Length	Bulb Size	Material	Dial Knob
EB3-505-4	95-205	914mm	98.4 x 9.5	Tinned Copper	P2670
EB3-507-0	15-120	1200mm	98.4 x 9.5	Tinned Copper	P2662
EB3-525-7	70-290	1800mm	260 x 4.7	Tinned Copper	P2638

ROBERTSHAW OVER TEMPERATURE SAFETY CUTOUT

Part No.	Cut Out	Features
LCH-0025	232°C	Manual Reset
LCCM-0017	232°C	Auto Reset

EGO CAPILLARY THERMOSTATS
Rated 16 AMP 240V

Stokes Cat No.	Range °C	Capillary Length	Bulb Size	EGO P/No.	Dial Knob	Applications
7400	30-110	1430mm	115 x 6	55.13224.030	7400K	Bain -Maries, Urns
7406	30-120	830mm	98 x 6	55.13022.310	7406K	Sterilisers
7407	60-200	1430mm	77 x 6	55.13034.040	7407K	Fryers
7408	95-205	830mm	157 x 4	55.13042.180	7408K	Fryers
7409	65-288	830mm	93 x 4	55.13052.110	7409K	Ovens, Griddle Plates
7410	50-320	1430mm	160 x 3	55.18064.020	7401K	Ovens

PLEASE NOTE: Adjustable Manual Reset and Triple Pole Thermostats available. Contact local agent.

EGO ADJUSTABLE 16AMP S.P.S.T. THERMOSTATS
Complete with dial knob, mounting bezel and screws

Stokes Cat. No.	Temp. Range	Capillary Length	Bulb L. x Diam.	Dual Shaft Diameter	Stuffing Gland
7014-A	0-40°C	1450mm	149 x 6mm	6mm	No
7009-A	30-120°C	830mm	115 x 6mm	6mm	No
7011-A	65-288°C	830mm	93 x 4mm	6mm	No
7007-A	50-320°C	1430mm	160 x 3mm	6mm	No

Controls – Cross Reference

Original Part No.	Customer	Temp. Range	BULB		Capillary Length	Stokes Cat. No.
			Dia.	Length		
EAB4060	Harris	104°	4.8	295	2440	N/A
EAB5052	Std.	25-105°	9.5	146	1200	N/A
EAB6060	Std.	15-120°	9.5	114	1200	N/A
EAB7058	Std.	95-205°	9.5	146	900	N/A
EAB8050	Std.	10-32°	9.5	214	900	N/A
EAB9053	Std.	30-230°	9.5	98	900	N/A
EA52010	Std.	70-290°	4.8	256	3000	Special Order
EA52029	Std.	Fixed	4.8	256	3000	N/A
EA52037	Std.	70-290°	9.5	98	900	EA5-406-7
EA54008	Std.	70-290°	4.8	295	2500	Special Order
EA54016	Std.	70-290°	4.8	295	1067	EA5-497-2
EA54024	Sterlec	70-290°	4.8	295	1400	EA5-402-4
EA54032	Sterlec	70-205°	4.8	295	1400	Special Order
EA54040	Luke	70-230°	4.8	295	1400	Special Order
EA54059	BICC	70-205°	4.8	295	1067	Special Order
EA54067	Std.	70-290°	9.5	98	1800	EA5-406-7
EA54075	Std.	70-290°	9.5	98	1800	EA5-406-7
EA54083	Std.	70-290°	4.8	295	1067	EA5-497-2
EA54091	Auto Hot	260°	4.8	295	1067	N/A
EA54104	Std.	70-290°	6.3	180	1800	EA5-497-2
EA54112	Std.	70-290°	8	127	460	N/A
EA54120	Birko	70-110°	4.8	295	1400	N/A
EA54139	Fict.	145°	4.8	295	1400	N/A
EA54147	Luke		4.8	295	1067	EA5-402-4
EA5415	Sterlec	70-193°	4.8	295	1400	Special Order
EA54200	Sterlec	70-290°	4.8	295	1067	EA5-497-2
EA54243	Std.	70-290°	4.8	295	1800	EA5-497-2
EA54261	Auto Hot	236°	4.8	295	1067	N/A
EA54278	Std.	Fixed	4.8	295	1067	N/A
EA54307	Hecla	140-218°	4.8	295	1067	N/A
EA54462	Joseph	Fixed	4.8	295	1067	N/A
EA54921	Vulcan	70-290°	4.8	185	1400	Special Order
EA54930	Std.	70-290°	4.8	295	1800	EA5-497-2
EA54948	Std.	70-290°	4.8	295	1067	EA5-497-2
EA54956	Std.	70-290°	4.8	295	1400	EA5-497-2
EA54972	Sterlec	70-290°	4.8	295	1800	EA5-497-2
EA54980	Std.	70-290°	9.5	98	900	EA5-406-7
EA55019	Std.	25-105°	9.5	146	1200	EA5-501-9
EA55027	Std.	25-105°	9.5	146	3000	Special Order
EA55035	Std.	Fixed	9.5	146	1200	N/A
EA5506A	Std.	25-105°	9.5	146	1800	Special Order

NOTE: ORIGINAL PART NO. IS USUALLY STAMPED OR PRINTED ON THERMOSTAT CASING

Controls – Cross Reference

Original Part No.	Customer	Temp. Range	BULB		Capillary Length	Stokes Cat. No.
			Dia.	Length		
EA55116	Std.	25-105°	9.5	146	2100	Special Order
EA55131	Goldstein	25-105°	9.5	146	1200	EA5-501-9
EA56011	Std.	25-105°	9.5	114	1200	EA5-602-0
EA56020	Sterlec	25-105°	9.5	114	1200	EA5-602-0
EA56038	Std.	Fixed	9.5	114	1200	N/A
EA56062	Std.	25-105°	9.5	114	1800	EA5-607-0
EA56070	Sterlec	25-105°	9.5	114	1800	EA5-607-0
EA56100	Std.	25-105°	4.8	406	1200	N/A
EA56118	Std.	Fixed	4.8	406	1200	N/A
EA56142	Sephco	49°	9.5	114	1200	N/A
EA56194	Std.	25-105°	9.5	114	1200	EA5-607-0
EA57014	Std.	95-205°	9.5	146	900	EA5-701-4
EA57022	Std.	95-205°	8	206	900	N/A
EA57034	BICC	149°	4.8	295	1400	N/A
EA57040		95-205°	9.5	146	1800	N/A
EA57057	Std.	95-205°	9.5	146	900	EA5-701-4
EA57129		95-205°	9.5	146	1800	N/A
EA57137		95-205°	6.3	333	1200	N/A
EA57145		95-205°	9.5	146	900	EA5-701-4
EA57153	Potterton	115°	9.5	146	900	N/A
EA57161		95-205°	9.5	146	900	EA5-701-4
EA57170	Std.	Fixed	9.5	146	900	N/A
EA57188	Std.	95-205°	9.5	146	900	EA5-701-4
EA58017	Std.	10-32°	9.5	214	900	EA5-907-9
EA58025	Std.	10-32°	9.5	214	900	N/A
EA58050	Std.	10-32°	4.8	900	3000	N/A
EA58068	Std.	10-32°	4.8	900	900	N/A
EA58500	Paton	0-100°	9.5	64	1200	N/A
EA59001	Ahearne	70-290°	4.8	410	900	N/A
EA59046	Advanx	146°	8	190	900	N/A
EA59052		49-93°	9.5	230		N/A
EA59060		10-49°	9.5	214	3000	N/A
EA59079	Std.	10-49°	9.5	214	900	EA5-907-9
EA59087	Std.	30-230°	9.5	98	900	EA5-911-6
EA59095	Std.	50-230°	4.8	292	900	EA5-909-5
EA59116	Std.	30-230°	9.5	98	900	EA5-911-6
EA59124	Supermold	121-177°	3.2	806	152	N/A
EA64286	Std.	Fixed	4.8	295	1067	N/A
EA64842		65.5°	4.8	185	1067	N/A
EA64964	Bostitch	70-290°	9.5	98	900	N/A
EA64999	Std.	70-290°	4.8	295	1400	N/A

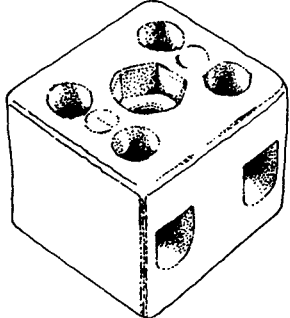
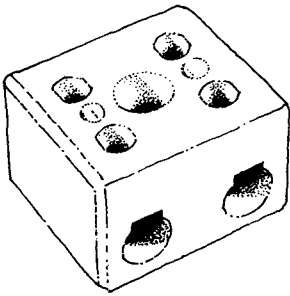
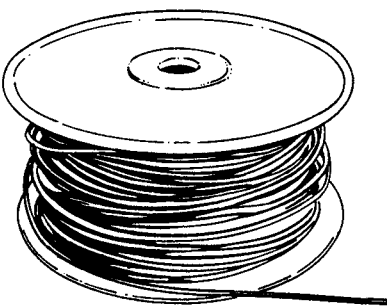
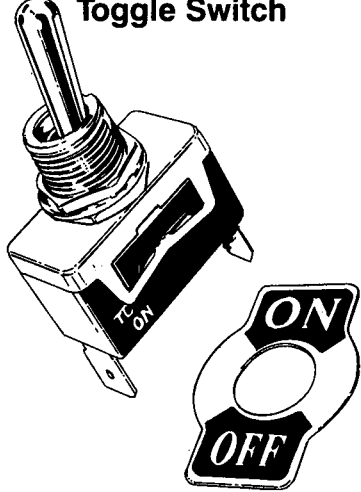
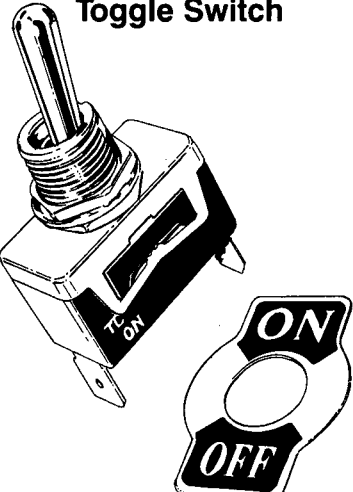
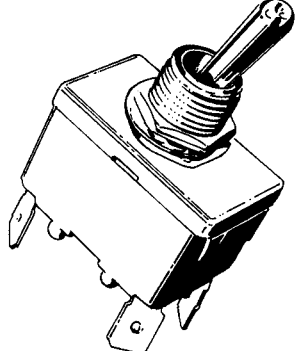
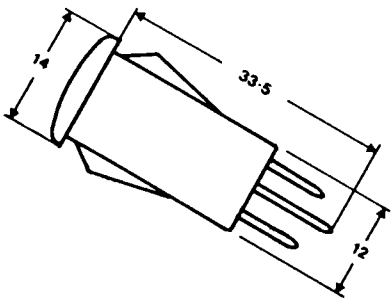
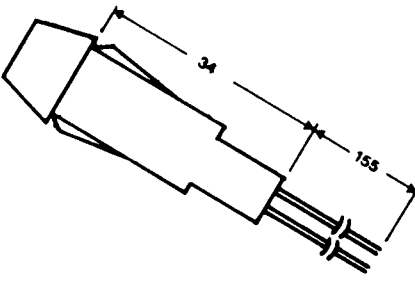
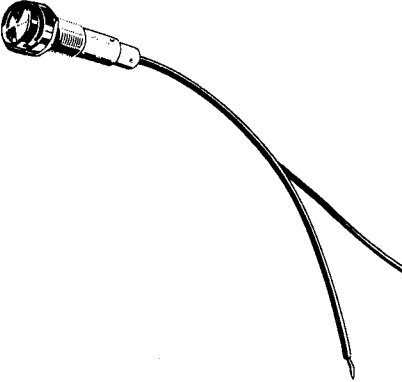
NOTE: ORIGINAL PART NO. IS USUALLY STAMPED OR PRINTED ON THERMOSTAT CASING

Controls – Cross Reference

Original Part No.	Customer	Temp. Range	BULB		Capillary Length	Stokes Cat. No.
			Dia.	Length		
EA65043	Std.	25-105°	9.5	146	3000	N/A
EA66003	Std.	25-105°	9.5	114	1200	Special Order
EA66089	Std.	25-105°	9.5	114	1800	Special Order
EA66097		25-105°	9.5	114	1800	Special Order
EA66186	Std.	25-105°	4.8	390	1200	N/A
EA67920	Baldwin	104°	9.5	146	1800	N/A
EA67938	Baldwin	121°	9.5	146	1800	N/A
EA69108	Std.	30-230°	4.8	292	900	Special Order
EA69132	Std.	10-49°	9.5	225	900	N/A
EA69140	Std.	30-230°	9.5	98	900	Special Order
EA99012	Helios	120-371°	6.3	254	900	EA9-910-0
EA99020	Std.	120-450°	4	210	1200	EA9-910-0
EA99039	Helios	120-450°	6.3	254	900	EA9-910-0
EA99100	Std.	120-450°	4	210	1200	EA9-910-0
EA99119	Std.	120-450°	6.3	254	1200	EA9-910-0
EB35003	Sterlec	70-290°	4.8	295	1067	EB3-525-7
EB35011		70-290°	4.8	295	1067	EB3-525-7
EB35020	Metters	25-105°	9.5	146	1200	EB3-507-0
EB35038		15-120°	9.5	114	1200	EB3-507-0
EB35046		95-205°	9.5	146	900	EB3-505-4
EB35054	Waldorf	95-205°	9.5	146	900	EB3-505-4
EB35062	Sephco	95-205°	9.5	146	900	EB3-505-4
EB35070	Metters	15-120°	9.5	114	1200	EB3-507-0
EB35089	Auto Hot	260°	4.8	295	1067	N/A
EB35097	Delvex	15-120°	9.5	115	1200	EB3-507-0
EB35118	Stirling	70-290°	4.8	295	1400	EB3-525-7
EB35126	Stirling	70-290°	4.8	295	1400	EB3-525-7
EB35134	Delvex	25-105°	9.5	146	1200	EB3-507-0
EB35142	McCraw	10-32°	9.5	214	900	N/A
EB35150	GEC	95-205°	9.5	146	900	EB3-505-4
EB35169		15-120°	9.5	114	1200	EB3-507-0
EB35177	Std.	70-290°	9.5	98	900	N/A
EB35185	Std.	Fixed	4.8	295	1067	N/A
EB35193	Curtin	70-290°	4.8	295	1800	EB3-525-7
EB35206	Curtin	95-205°	9.5	146	900	EB3-505-4
EB35214	Hecla	141-218°	4.8	295	1067	N/A
EB35222		70-290°	4.8	295	1400	EB3-525-7
EB35230		70-290°	4.8	295	1800	EB3-525-7
EB35249		15-120°	9.5	114	1200	EB3-507-0
EB35257		70-290°	4.8	295	1800	EB3-525-7
EB35265		15-120°	9.5	114	1800	N/A
EB35273		70-290°	4.8	257	3000	N/A

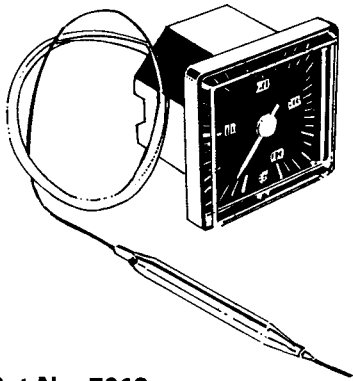
NOTE: ORIGINAL PART NO. IS USUALLY STAMPED OR PRINTED ON THERMOSTAT CASING

Accessories

<p>Ceramic Terminal Block</p>  <p>Cat No. 2300-15 15 amp 2 way 4.1mm tunnel diameter.</p>	<p>Ceramic Terminal Block</p>  <p>Cat No. 2300-30 30 amp 2 way 6mm tunnel diameter.</p>	<p>Silicon Cable</p>  <p>150°C Heat Cable. Available red, black and green Cat No. 30/025 - Black 1.5 mm Cat No. 30/025 - Red 1.5 mm Cat No. 30/025 - Green 1.5 mm</p>
<p>Toggle Switch</p>  <p>Cat No. TO-11A 10 amp 240 volt SPST. Bakelite switch.</p>	<p>Toggle Switch</p>  <p>Cat No. T5-11 15 amp 240 volt SPST. Bakelite switch.</p>	<p>Toggle Switch</p>  <p>Cat No. T5-21 15 amp 240 volt DPST. Bakelite switch.</p>
<p>PLEASE NOTE: Other toggle and rocker switches available upon request. Contact your local agent for information.</p>		
<p>Neon Indicator</p>  <p>Cat No. A26 240 volt. Hole size 12 mm diameter. Available: Red, amber or green.</p>	<p>Neon Indicator</p>  <p>Cat No. A29 240 volt. Hole size 9 mm diameter. Available: Red, amber or green.</p>	<p>Neon Indicator</p>  <p>Cat No. SL275QL 240 volt. Hole size 10 mm diameter.</p>
<p>PLEASE NOTE: Other Indicators available upon request. Contact your local agent for information.</p>		

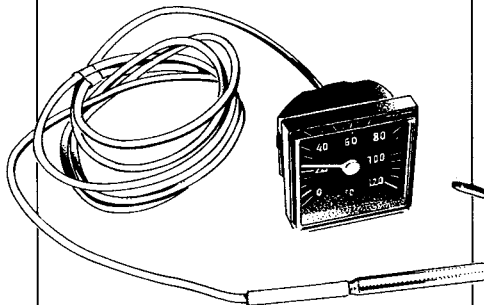
Thermometers

Panel Mount



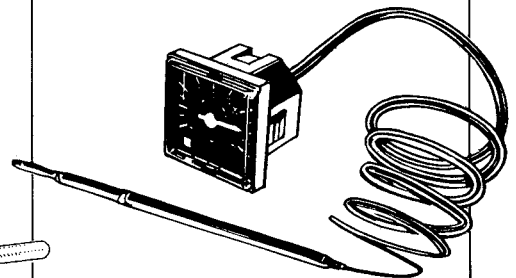
Cat No. 7013
Temperature range 0-400°C. Face size 48mm x 48mm. Panel cut-out size 45.5mm x 45.5mm

Panel Mount



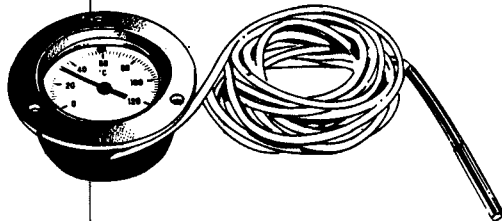
Cat No. 7025
Temperature range 0-120°C. Face size 48mm x 48mm. Panel cut-out size 45.5mm x 45.5mm

Panel Mount



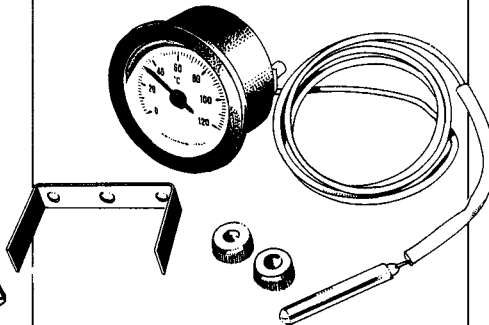
Cat No. 7026
Temperature range -40 to +40°C. Face size 48mm x 48mm. Panel cut-out size 45.5mm x 45.5mm

Reversible Mount – Arthermo



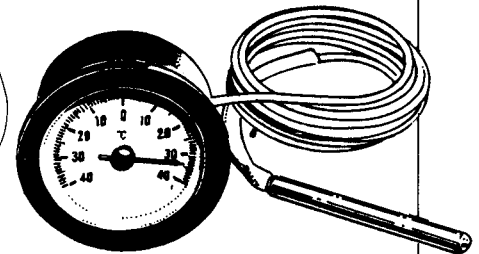
Cat No. 9738
Temperature range 0-120°C. Face size 60mm diameter

Panel Mount – Arthermo



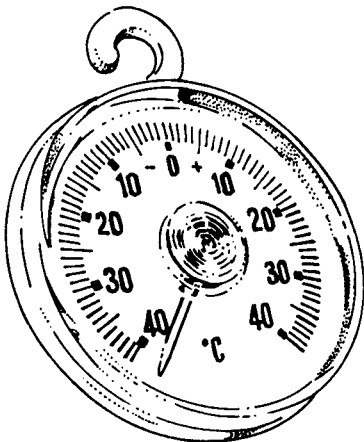
Cat No. 9739
Temperature range 0-120°C. Face size 57mm x 57mm. Panel cut-out size 50mm x 50mm.

Panel Mount – Arthermo



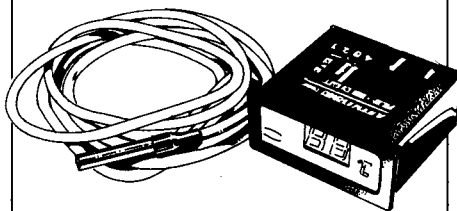
Cat No. 9740
Temperature range -40 to +40°C. Face size 57mm x 57mm. Panel cut-out size 50mm x 50mm.

Hang Mount – Arthermo



Cat No. 9741
Temperature range -40°C to +40°C.

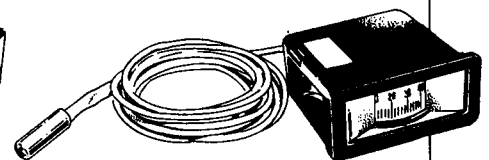
Panel Mount Digital Elec. 12 volt – Arthermo



Cat No. 9743
Temperature range -50°C to +99°C. Face size 73mm x 38mm. Panel cut-out size 66mm x 32mm.

Cat No. 9744
Transformer 5VA 220/12V AC for above 9743.

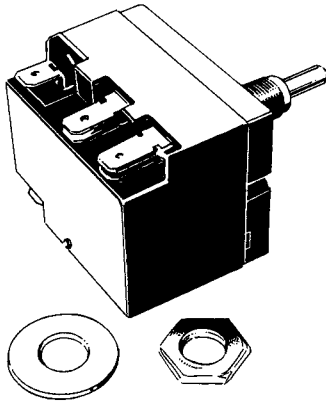
Panel Mount Rectangular



Cat No. 9746
Temperature range -40°C to +40°C. Face size 64mm x 32mm. Panel cut-out size 58mm x 26mm.

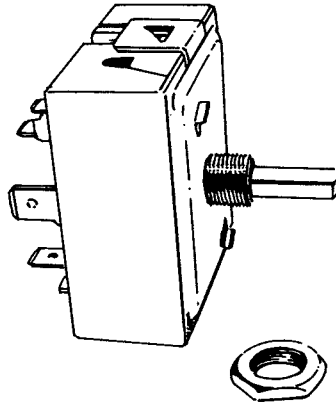
Simmerstats, Rotary Switches and Runback Timers

Sunvic Simmerstat



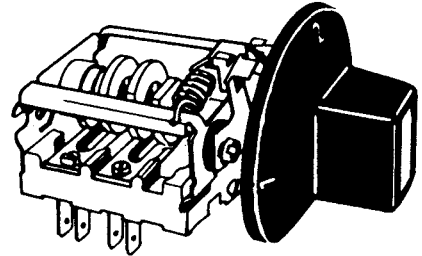
Cat No. TYJ6333
Knob Cat. No. TYJK. 15 amp 240 volt.
Ambiant temperature rating (150°C)

EGO Simmerstat



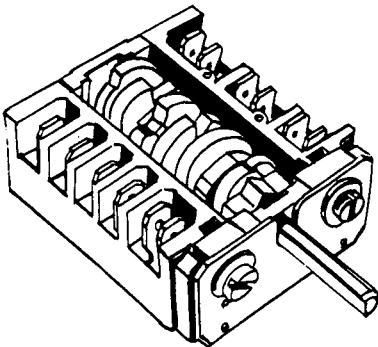
Cat No. 7405
Knob Cat. 7405K. 13 amp 240 volt.
O/E Part No. 50-56078-007

**EGO Rotary Switch
3 Heat (4 Position)**



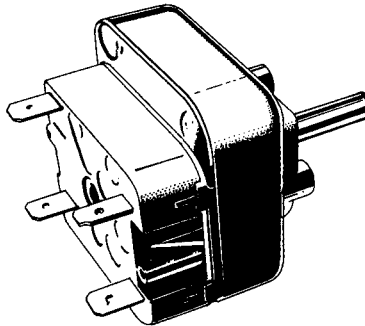
Cat No. 7404
Complete with knob. 16 amp 240 volt.
Anti-clockwise rotation.
O/E Part No. 49-24015-500

**EGO Rotary Switch
6 Heat (7 Position)**



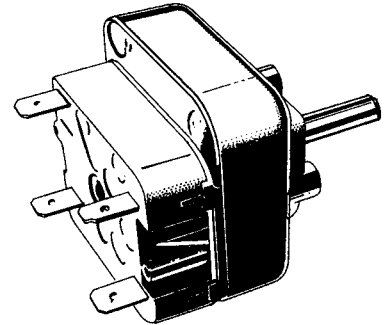
Cat No. 7403
6 heat, 7 position. 16 amp 240 volt.
(Clockwise)-46.27266.620

Diehl 400 Series Timer



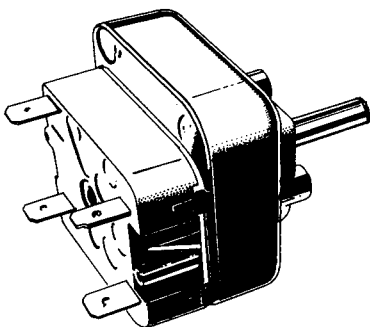
Cat No. 9696
15 minute. 16 amp 240 volt

Diehl 600 Series Timer



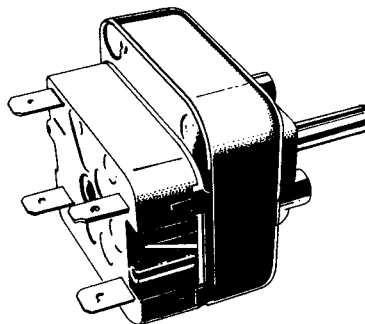
Cat No. 9697
30 minute 16 amp 240 volt

Diehl 600 Series Timer



Cat No. 9698
60 minute. 16 amp 240 volt.

Diehl 600 Series Timer



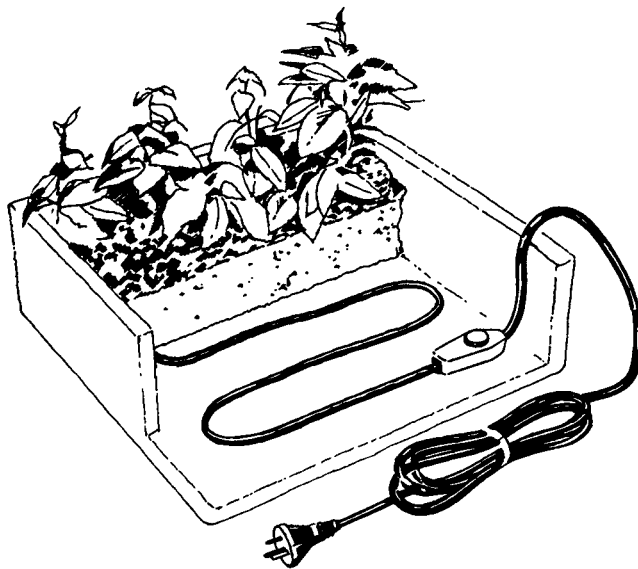
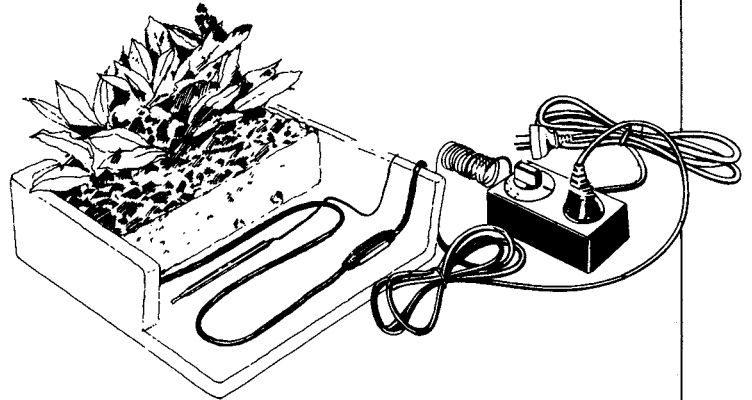
Cat No. 9699
90 minute. 16 amp 240 volt.

Green Grow Soil Heating

ELECTRIC SOIL HEATING CABLE PROMOTES FASTER, HEALTHIER GROWTH FOR SEEDS AND CUTTINGS

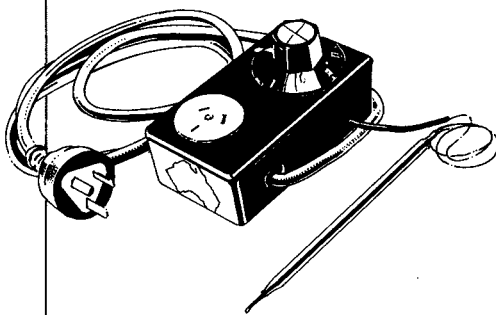
Cat No. 9838 – Non-Automatic

Green grow non-automatic cable sets are designed for the greenhouse/commercial grower or advanced hobbyist where larger areas are involved and varying temperatures required. To maintain desired soil temperatures, non-automatic cables should be used in conjunction with the 7014BA thermostat control. Cable is covered with a PVC moisture-proof jacket and continuous safety grounding braid for mechanical and electrical protection. All connections are sealed and moisture-proof. Equipped with 2m (6ft.) flex with moulded 3 pin plug.



Cat No. 9836 – Automatic with Thermostat

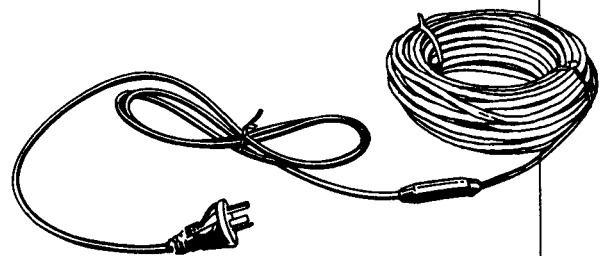
Green grow automatic soil heating cable gives controlled heat where needed to maximise new growth. Built-in thermostat maintains soil temperature at approx. 21°C (71°F). Use indoors or outdoors in planters, cold frames, flats or growing beds. Dependable heating element is protected by tough inner PVC jacket and continuous safety grounding braid. Moisture-proof outer PVC jacket covers the complete unit including thermostat. Equipped with 2m (6ft.) flex with moulded 3 pin plug.



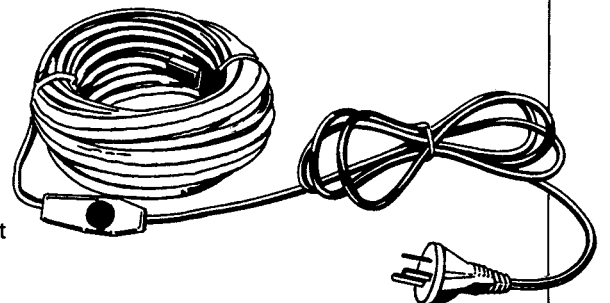
Cat No. 7014BA – Thermostat Control – Boxed Unit

Adjustable thermostat controls all 3 pinned plug applications.

Cat No. 9838
Non-Automatic 18m 300W



Cat No. 9836
Automatic with Thermostat
16m 300W



These 240V, 300W cables are braided for mechanical and electrical protection. CAUTION should be used in working areas. Avoid the use of sharp instruments.